

GENERAL NOTES

FOUNDATIONS

- All footings and foundations shall conform to O.B.C. 9.15
- All footings are designed for an assumed soil bearing capacity of 100 kPa
- Should additional foundation work be required, protect existing foundations from loss of support during construction of new footings.
- All footings subject to frost action shall be carried down a minimum of 6'-0" below finished grade.
- Soil supporting footings and slabs shall be protected from freezing before and after concrete is placed.
- Backfill exterior basement walls with free draining granular material.

CONCRETE

- All concrete work to be in accordance with O.B.C. 9.3.
- All other concrete to be 25 MPa @ 28 days with 3" to 4" slump with 3% air

WOOD FRAMING

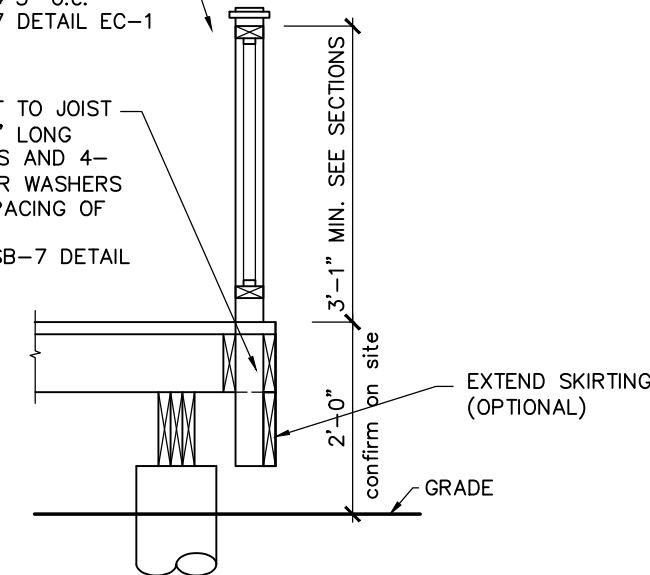
- Wood framing shall be in accordance with O.B.C. 9.23
- All timber shall be minimum No. 2 grade S-P-F or better u.n.o
- All exposed structural wood to be pressure treated.

STAIRS RAMPS AND HANDRAILS

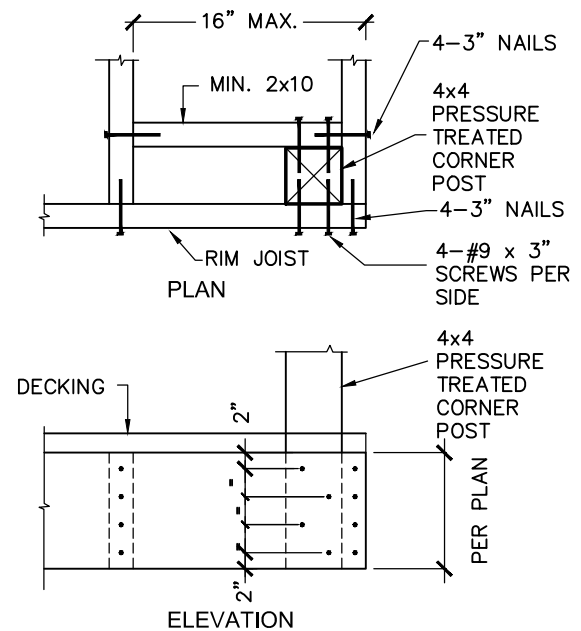
Stairs Ramps and Handrails to be in accordance with O.B.C. 9.8

TOP+INTER +BOTTOM RAILS:
2x4 WITH 1x2 NAILER
(CONTINUOUS)
CONNECT 2x2 PICKETS TO
1x2 WITH 2-2" NAILS.
CONNECT 1x2 TO 2x4 WITH
2" SCREWS @ 5" o.c.
2x2 PICKETS @ 5" o.c.
PER OBC SB-7 DETAIL EC-1

CONNECT POST TO JOIST
WITH 2-5/16"X6" LONG
MACHINE BOLTS AND 4-
1 1/4"O.D. FENDER WASHERS
4'-3" MAX. SPACING OF
POSTS
AS PER OBC SB-7 DETAIL
EB-3



GR1 TYPICAL GUARDRAIL DETAIL
SCALE: 1/2" = 1'-0"



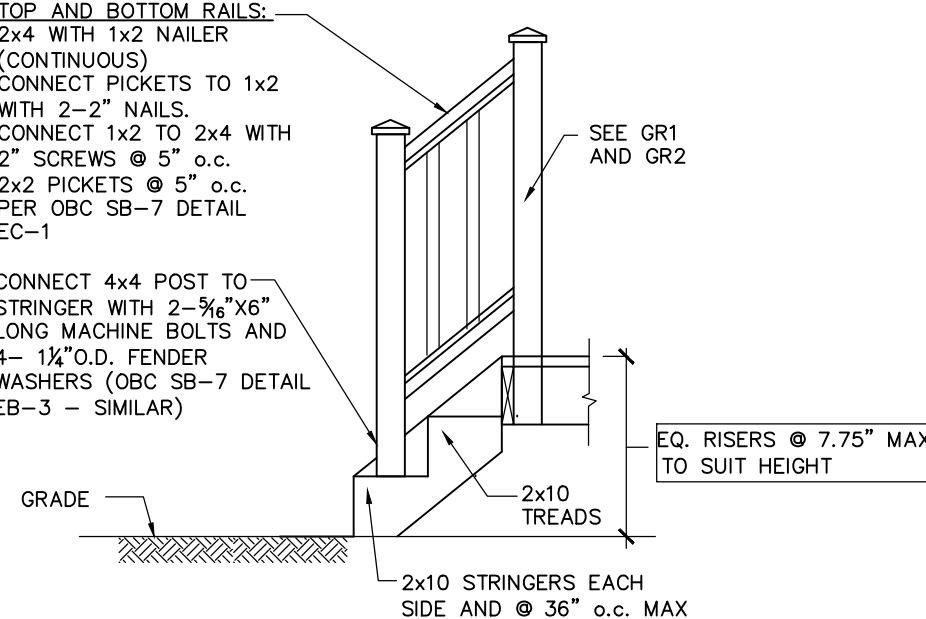
GR2 TYPICAL CORNER POST DETAIL
(PICKETS NOT SHOWN FOR CLARITY)

STRUCTURAL SPECIFICATIONS:

- ALL DESIGN AND CONSTRUCTION IS TO MEET THE REQUIREMENTS OF THE 2006 EDITION OF THE ONTARIO BUILDING CODE.
- CONTRACTOR IS TO ENSURE THAT STRUCTURE IS PROPERLY SHORED AND BRACED AT ALL TIMES DURING CONSTRUCTION.
- CONTRACTOR IS TO VERIFY ALL DIMENSIONS ON SITE AND OBTAIN APPROVAL OF ANY RESULTING MODIFICATIONS FROM ENGINEER PRIOR TO INSTALLATION.
- ALL FOOTINGS ARE TO BEAR ON UNDISTURBED SOIL. FOOTINGS HAVE BEEN DESIGNED FOR AN ALLOWABLE SOIL BEARING CAPACITY OF 100 kPa
- ALL CONCRETE IS TO HAVE THE FOLLOWING MINIMUM 28 DAY STRENGTHS: FOOTINGS, PIERS, FOUNDATION WALLS - 20 MPa
- ALL DIMENSION LUMBER IS TO BE NLGA NO.2 GRADE S-P-F OR BETTER.
- ALL EXTERIOR FRAMING IS TO BE PRESSURE-TREATED.
- ALL GUARDS ARE TO MEET THE REQUIREMENTS OF OBC SUPPLEMENTARY STANDARD SB-7 OR EQUAL.


TOP AND BOTTOM RAILS:
2x4 WITH 1x2 NAILER
(CONTINUOUS)
CONNECT PICKETS TO 1x2
WITH 2-2" NAILS.
CONNECT 1x2 TO 2x4 WITH
2" SCREWS @ 5" o.c.
2x2 PICKETS @ 5" o.c.
PER OBC SB-7 DETAIL
EC-1

CONNECT 4x4 POST TO
STRINGER WITH 2-5/16"X6"
LONG MACHINE BOLTS AND
4- 1 1/4"O.D. FENDER
WASHERS (OBC SB-7 DETAIL
EB-3 - SIMILAR)



GR3 TYPICAL CORNER POST DETAIL
(PICKETS NOT SHOWN FOR CLARITY)

REVISED
JULY 2014

1. THE CONTRACTOR SHALL ASSUME RESPONSIBILITY FOR CHECKING ALL DIMENSIONS OF EXISTING BUILDING AND REPORT INCONSISTENCIES TO THE OWNER AND DESIGNER PRIOR TO ANY CONSTRUCTION.	PROJECT :	The undersigned has reviewed and takes responsibility for this design and has the qualification and meets the requirements set out in the Ontario Building Code to be a designer. QUALIFICATION INFORMATION James F. Cassidy 22763 NAME SIGNATURE BCIN Cassidy Cadd Services 30127 FIRM NAME BCIN	 2485 Gravelle Cres. Ottawa, K1B3A4 T:(613)834-1857 F:(613)834-1857	DRAWING NAME: GENERAL NOTES TYPICAL DETAILS		DRAWING NUMBER: A1
	470 DAWSON Ottawa, Ontario NEW DECK			SCALE: NOTED	DATE DRAWN: MAY 2013	